

Safety instructions

Important! Before commencing installation work disconnect the main cable from the power supply - remove fuse or turn switch to "OFF"!

1. Installation should be carried out in accordance with the local safety regulations.
2. In order to prevent damage, please check walls for cables before drilling holes.
3. Please ensure that all electrical connections (even preassembled lamps) are screwed tightly or are fully inserted as good contact is essential for a long life-span at high currents. Please check for tight connections after changing or adjusting lamps. Screwed connections must be tightened after 20 minutes.
4. Please do not place objects on your system (e.g. for decorative purposes) if they were not delivered with the system.
5. The lamps get very hot when in use. Please allow lamps to cool down before touching.
6. Do not change lamps or spots when switched on.
7. System should not be enlarged with additional lamps.
8. Use of a dimmer is highly recommended. Dimmer must be compatible with type of bulb.
9. To avoid greasy fingerprints it is recommended to wear white cotton gloves when handling visible metal and glass parts.
10. If the external flexible cable or cord of this luminaire is damaged, it shall be exclusively replaced by the manufacturer or his service agent or a similar qualified person in order to avoid a hazard.
11. The glass used for this lamp is hand-blown. Only 1st. quality has been chosen. Air bubbles and variations in thickness and colour is normal.
12. We reserve the right to make technical alterations.

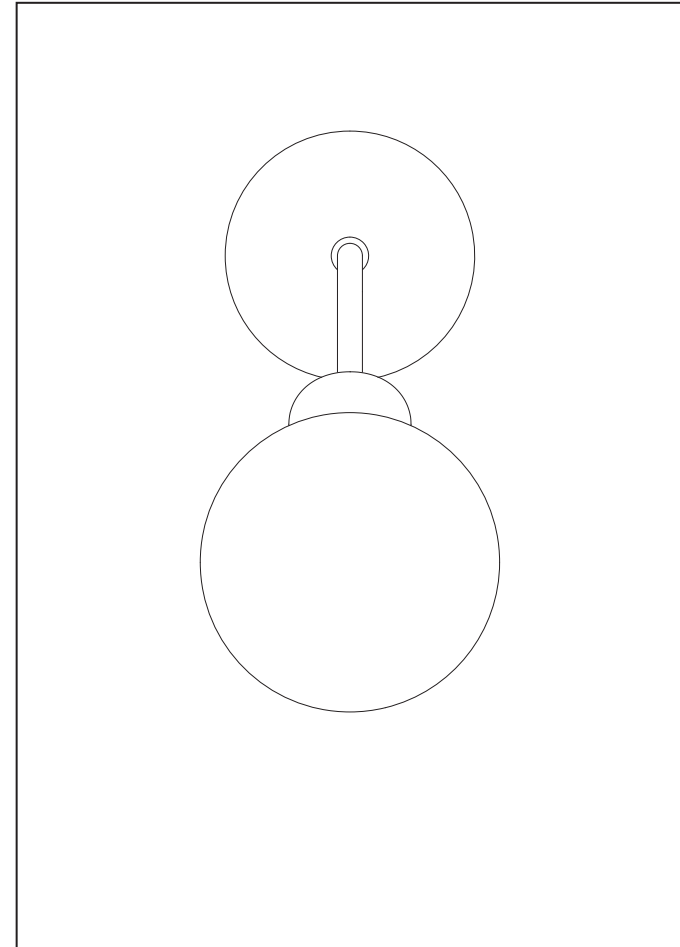
Please keep these instructions.

Fitting: G9

2021-08-16 EU

Apiales Wall

Assembly Instructions



NUURA

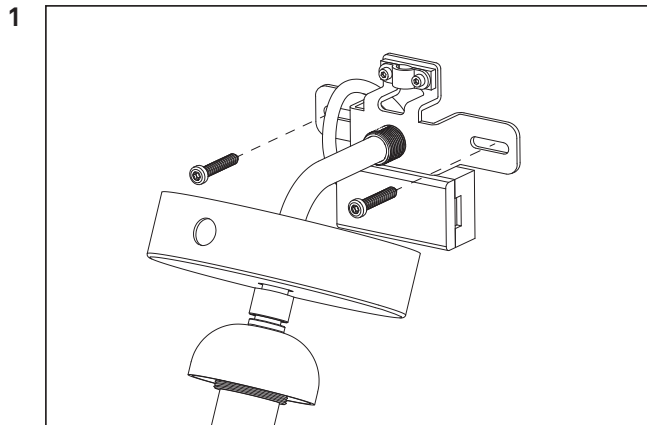
www.nuura.com
info@nuura.com

© 2021 All rights reserved

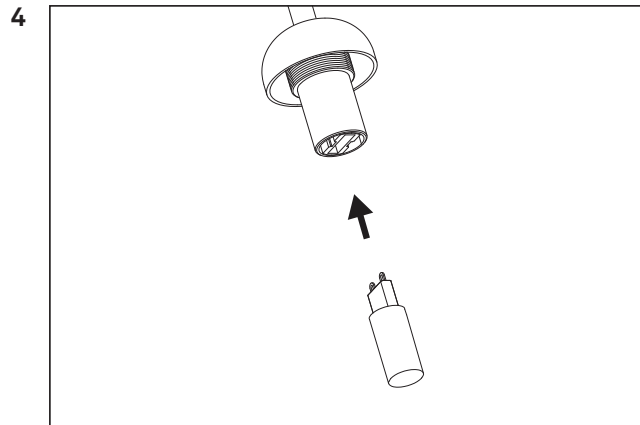
CE

NUURA

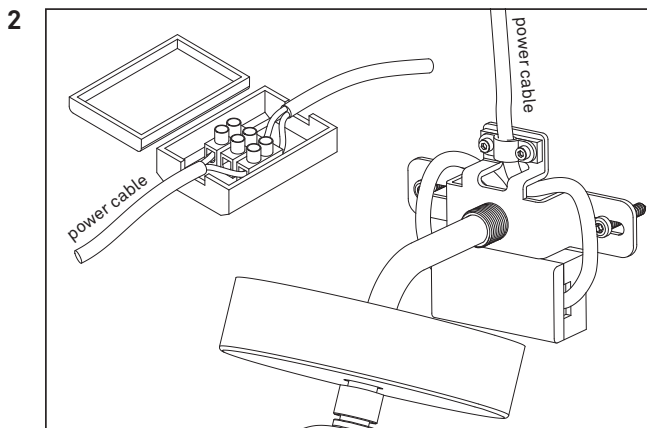
© 2021 All rights reserved



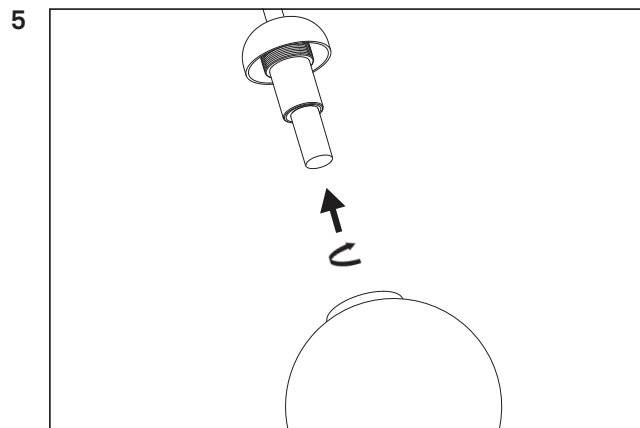
1 Mount the wall bracket to the wall with screws.
Make sure to use appropriate screws and rawplugs/anchors for your construction.
Please make sure the lamp is fixated properly.



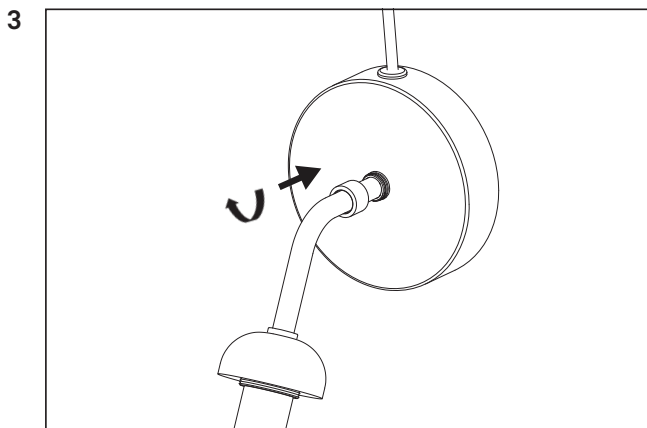
4 Place a G9 light bulb in the socket. The bulb is NOT included.
A recommended light bulb can be found on www.nuura.com



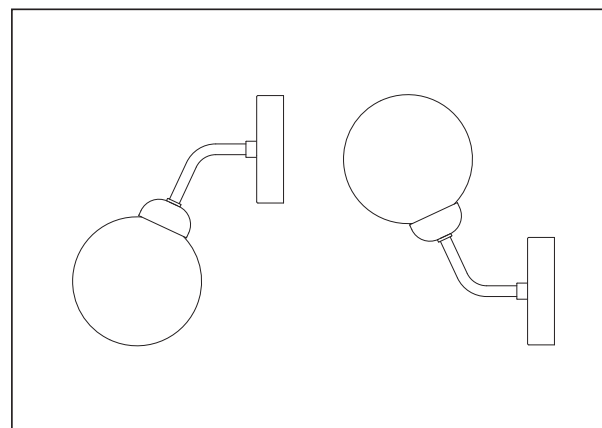
2 If the power cable is surface mounted make sure to put the cable through the hole in the cover plate before the following,
Lead the power cable through the cable relief.
Connect the wire-ends to the cable connector inside the connector box. Match the brown wire with "L" the blue wire with "N" and the green/yellow wire with the grounding symbol.



5 Carefully place the glass globe over the light bulb. Turn clockwise to attach the glass globe.
IMPORTANT: Do NOT over tighten, the glass may fracture.



3 Turn the cover plate to align cable in desired direction.
Mount the cover plate by hand threading the fastener until it is tight.



Suggestions for mounting.